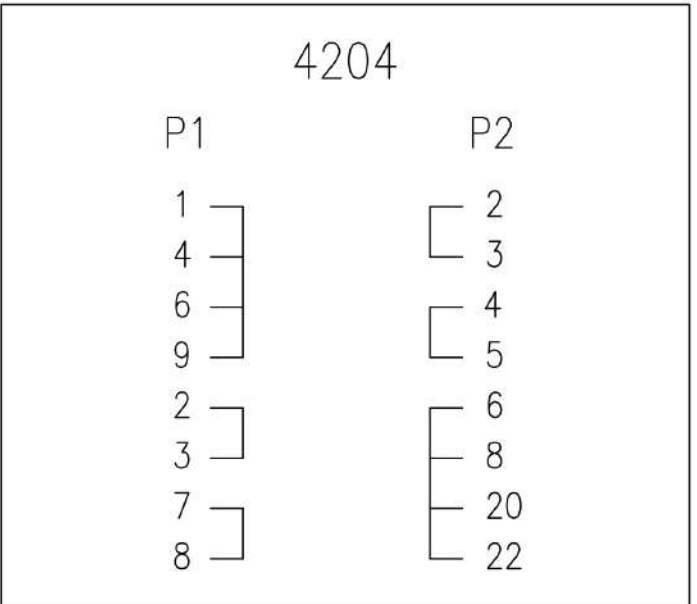
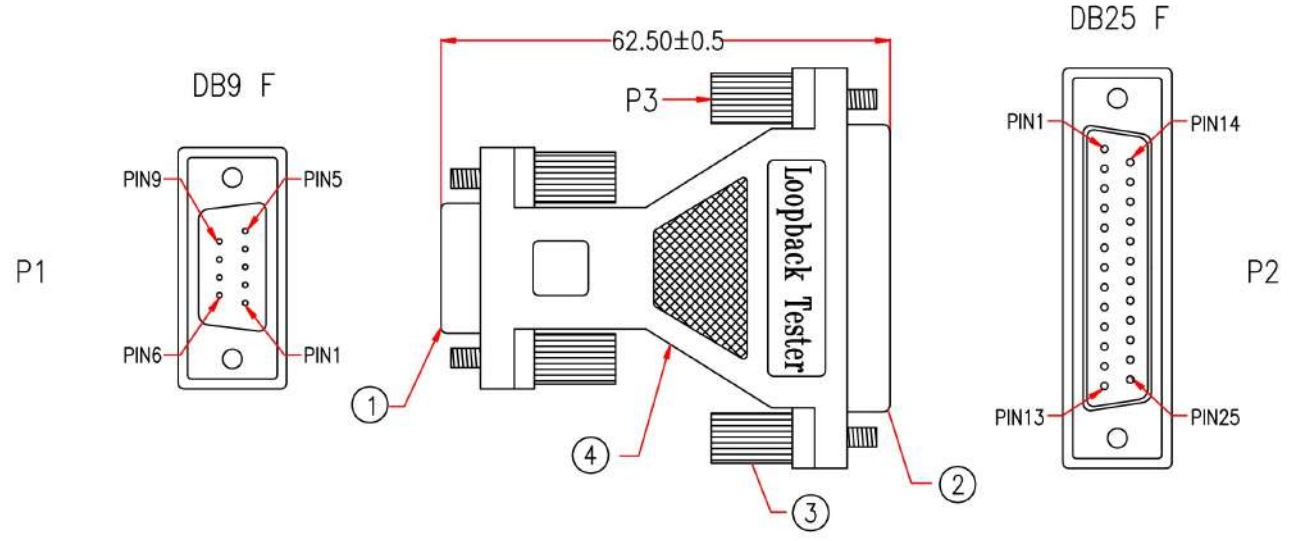


P1,P2: M-Y417B
M-417B
P3: M-427B

Customer No: _____



⚠ ⚠*NOTE: All relevant materials are complied with RoHS directive .

4	Jumper Wire UL1007/26#/1C/25mm, OD1.4mm, COLOR RED, DRAWING NO. EH002601C-013	H5SA06-0304R01	3	M304
	MOLDED PE COLOR TRANSPARENT	A5BA02-7777		M7777
	MOLDED PVC BEIGE	H1BF01-0304B01		M304
3	MOLDED THUMBSCREW #4-40, LENGTH 21.5mm, BEIGE	H1RB01-0304B01 A6AA09-0095	4	M95
2	DB25 FEMALE, GOLD FLASH ON CONTACTS, BLUE INSULATOR	A1AE01-0277U09	1	M277
1	DB9 FEMALE, GOLD FLASH ON CONTACTS, BLUE INSULATOR	A1AA01-0277U09	1	M277

No.	DESCRIPTION	Q'TY	Supplier
APPROVED			
CHECKED	HU		
DRAWING	XIAO		
DATE	05/JUL/19	ITEM NO.	DST-9F25F-LP2 & DST-9F25F-LP2-MF

Providing Connectivity Solutions

Cable Length Unless Other Spec.
Tolerances:

0 ~200mm	±10mm
201~1000mm	±20mm
1001 ~1500mm	±25mm
1501~2100mm	±30mm
2100mm↑	±40mm

⚠ REV.2 2019.07.05	MODIFY NOTE		
⚠ REV.1 2011.11.15	ADD RoHS	CHECKED	